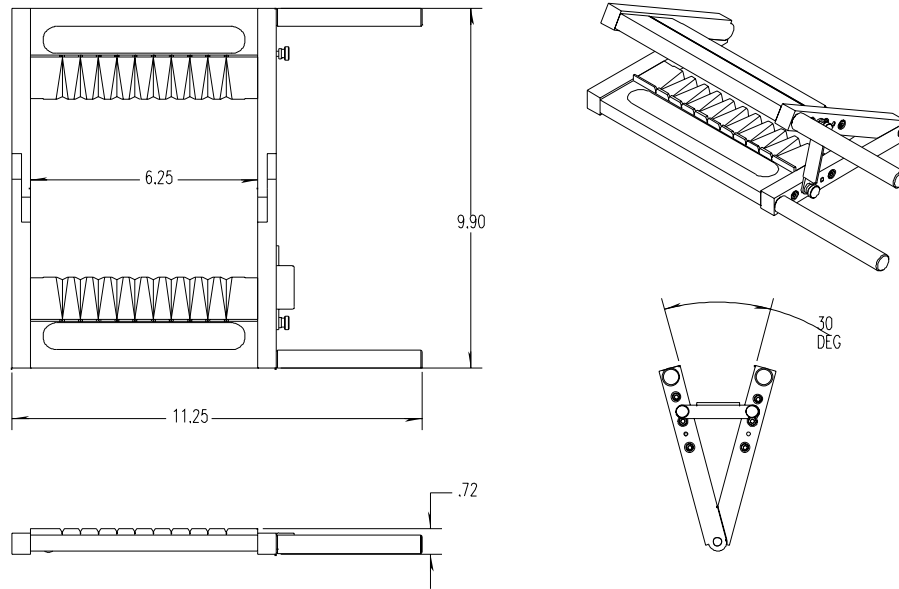


# FIBER CHEMICAL STRIPPING FOLDING FIXTURES



Typical 20mm Strip Length fixture

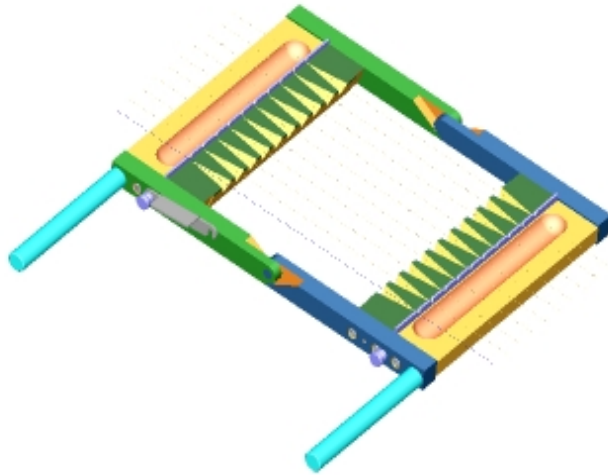
## Specification:

OVERALL DIMENSIONS: ..... 10." W x 11.50" MAX L x .72" OAL  
 STANDARD STRIP LENGTHS: ..... 20 MM AND 50 MM  
 MATERIAL (BODY) : ..... POLYPROPYLENE  
 MATERIAL (FIBER HOLDER) : ..... VITON  
 FASTENERS: ..... ISOPLAST  
 FIBER CAPACITY: ..... 10 FIBERS



77 Industrial Park Drive Vernon, CT 06066 Phone (860) 871-2279 Fax (860) 871-2592  
[www.aspusaonline.com](http://www.aspusaonline.com)

# FIBER CHEMICAL STRIPPING FOLDING FIXTURES

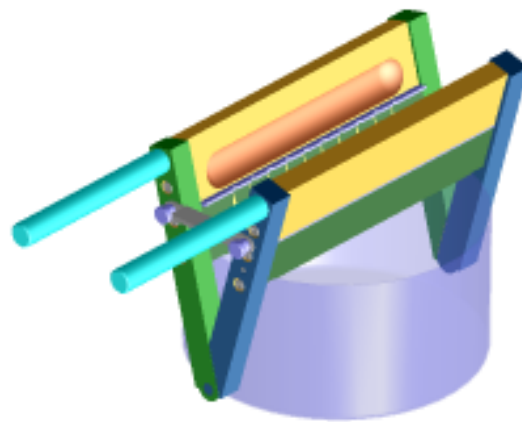


## FEATURES

- TEN FIBER CAPACITY
- EASY / POSITIVE LOADING
- INTEGRAL ELASTOMER FIBER HOLDERS
- AVAILABLE IN 20 MM AND 50 MM STRIP LENGTHS
- COMPACT
- LIGHTWEIGHT POLYPROPYLENE CONSTRUCTION

## APPLICATION

- LIGHT PRODUCTION
- RESEARCH AND DEVELOPMENT
- LENGTH SPECIFIC STRIPPING



The **ASP 2601 Folding Chemical Stripping Fixture** is a **compact and lightweight solution** for light production, research and development fiber chemical stripping requirements. The fixtures lay flat for easy loading and then fold to form a loop in the fiber that can be lowered into a chemical solution. The fixtures are available with a 150mm crystalizing dish and ceramic hot plate. With their Viton fiber holders, these fixtures are easy to load and operate and will not damage your fiber. Their robust design makes them durable and dependable in virtually any environment.

Customs Available Upon Request



77 Industrial Park Drive Vernon, CT 06066 Phone (860) 871-2279 Fax (860) 871-2592  
[www.aspusaonline.com](http://www.aspusaonline.com)